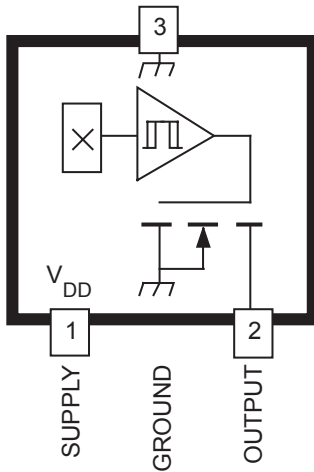


# 3213 AND 3214

## MICROPOWER, ULTRA-SENSITIVE HALL-EFFECT SWITCHES

### Package Designator 'LH' Pinning (SOT23W)



Dwg. PH-016-1

Pinning is shown viewed from branded side.

### ABSOLUTE MAXIMUM RATINGS at $T_A = +25^\circ\text{C}$

|                                     |                 |
|-------------------------------------|-----------------|
| Supply Voltage, $V_{DD}$ .....      | 6 V             |
| Magnetic Flux Density, B .....      | Unlimited       |
| Output Off Voltage, $V_{OUT}$ ..... | 6 V             |
| Output Current, $I_{OUT}$ .....     | 1 mA            |
| Junction Temperature, $T_j$ .....   | +165°C          |
| Operating Temperature Range, $T_A$  |                 |
| Range 'E' .....                     | -40°C to +85°C  |
| Range 'L' .....                     | -40°C to +150°C |
| Storage Temperature Range,          |                 |
| $T_s$ .....                         | -65°C to +170°C |

The A3213xx and A3214xx integrated circuits are ultra-sensitive, pole independent Hall-effect switches with a latched digital output. They are especially suited for operation in battery-operated, hand-held equipment such as cellular and cordless telephones, pagers, and palmtop computers. A 2.4 volt to 5.5 volt operation and a unique clocking scheme reduce the average operating power requirements – the A3213xx to 825  $\mu\text{W}$ , the A3214xx to 14  $\mu\text{W}$  (typical at 2.75 V)! Except for operating duty cycle and average operating current, the A3213xx and A3214xx are identical.

Unlike other Hall-effect switches, either a north or south pole of sufficient strength will turn the output on; in the absence of a magnetic field, the output is off. The polarity independence and minimal power requirement allows these devices to easily replace reed switches for superior reliability and ease of manufacturing, while eliminating the requirement for signal conditioning.

Improved stability is made possible through chopper stabilization (dynamic offset cancellation), which reduces the residual offset voltage normally caused by device overmolding, temperature dependencies, and thermal stress.

These devices include on a single silicon chip a Hall-voltage generator, small-signal amplifier, chopper stabilization, a latch, and a MOSFET output. Advanced BiCMOS processing is used to take advantage of low-voltage and low-power requirements, component matching, very low input-offset errors, and small component geometries.

Range 'E' devices are rated for operation over a temperature range of -40°C to +85°C; range 'L' devices are rated for operation over a temperature range of -40°C to +150°C. Two package styles provide a magnetically optimized package for most applications. 'LH' is a miniature low-profile surface-mount package, 'UA' is a three-lead SIP for through-hole mounting. Each package is available in a lead (Pb) free version (suffix, -T), with a 100% matte tin plated leadframe.

### FEATURES

- Micropower Operation
- Operate With North or South Pole
- 2.4 V to 5.5 V Battery Operation
- Chopper Stabilized
  - Superior Temperature Stability
  - Extremely Low Switch-Point Drift
  - Insensitive to Physical Stress
- High ESD protection
- Solid-State Reliability
- Small Size
- Easily Manufacturable With Magnet Pole Independence



# 3213 AND 3214 MICROPOWER, ULTRA-SENSITIVE HALL-EFFECT SWITCHES

## Product Selection Guide

| Part Number  | Pb-free <sup>1</sup> | Packing <sup>2</sup>           | Mounting         | Ambient, T <sub>A</sub><br>(°C) | DC<br>(%) | I <sub>DDAVG(TYP)</sub><br>(µA) |
|--------------|----------------------|--------------------------------|------------------|---------------------------------|-----------|---------------------------------|
| A3213ELHLT-T | Yes                  | 7-in. reel<br>3000 pieces/reel | Surface Mount    | -40 to 85                       | 25        | 460                             |
| A3213EUA-T   | Yes                  | Bulk<br>500 pieces/bag         | SIP through hole |                                 |           |                                 |
| A3213LLHLT-T | Yes                  | 7-in. reel<br>3000 pieces/reel | Surface Mount    | -40 to 150                      |           |                                 |
| A3213LUA-T   | Yes                  | Bulk<br>500 pieces/bag         | SIP through hole |                                 |           |                                 |
| A3214ELHLT-T | Yes                  | 7-in. reel<br>3000 pieces/reel | Surface Mount    | -40 to 85                       | 0.10      | 11                              |
| A3214EUA-T   | Yes                  | Bulk<br>500 pieces/bag         | SIP through hole |                                 |           |                                 |
| A3214LLHLT-T | Yes                  | 7-in. reel<br>3000 pieces/reel | Surface Mount    | -40 to 150                      |           |                                 |
| A3214LUA-T   | Yes                  | Bulk<br>500 pieces/bag         | SIP through hole |                                 |           |                                 |

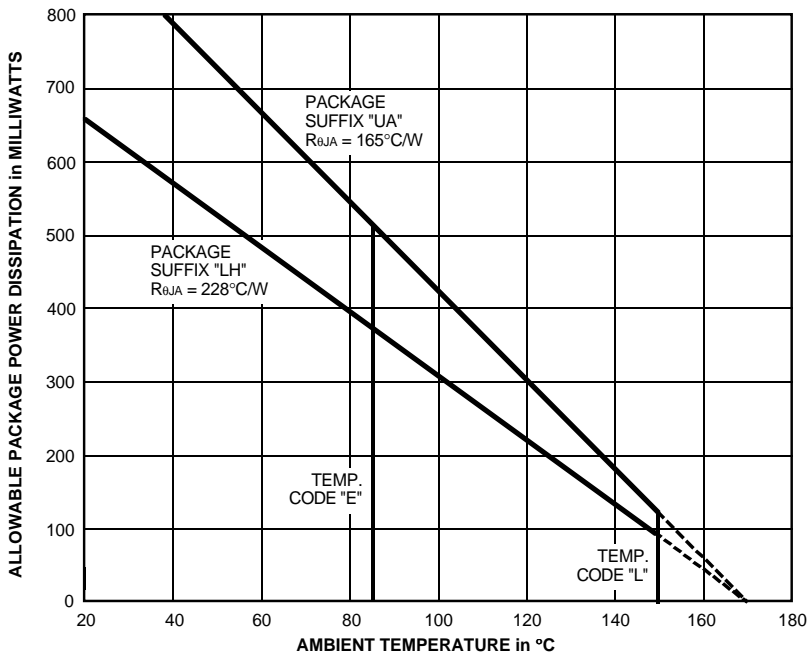
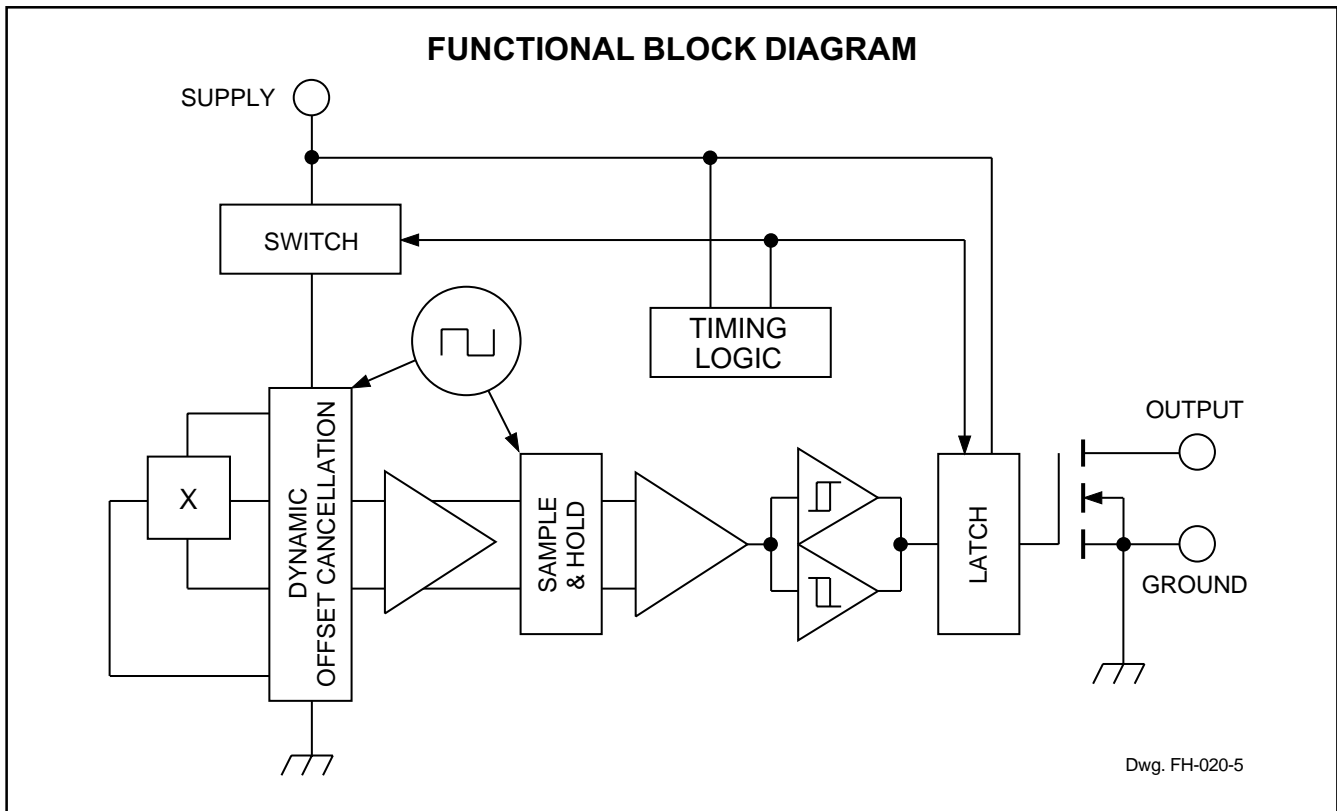
<sup>1</sup>Pb-based variants are being phased out of the product line.

a. Certain variants cited in this footnote are in production but have been determined to be LAST TIME BUY. This classification indicates that sale of this device is currently restricted to existing customer applications. The device should not be purchased for new design applications because obsolescence in the near future is probable. Samples are no longer available. Status change: October 31, 2006. Deadline for receipt of LAST TIME BUY ORDERS: April 27, 2007. These variants include: A3213LLHLT and A3214LUA.

b. Certain variants cited in this footnote are in production but have been determined to be NOT FOR NEW DESIGN. This classification indicates that sale of this device is currently restricted to existing customer applications. The device should not be purchased for new design applications because obsolescence in the near future is probable. Samples are no longer available. Status change: May 1, 2006. These variants include: A3213ELHLT, A3213EUA, A3213LUA, A3214ELHLT, A3214EUA, and A3214LLHLT.

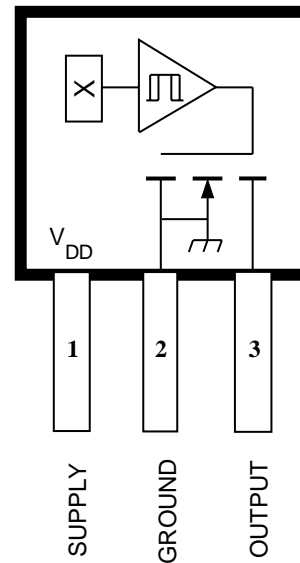
<sup>2</sup>Contact Allegro for additional packing options.

# 3213 AND 3214 MICROPOWER, ULTRA-SENSITIVE HALL-EFFECT SWITCHES



NOTE – Allowable package power dissipation will not be exceeded unless Absolute Maximum Ratings (page 1) are exceeded.

### Package Designator 'UA' Pinning (SIP)



Pinning is shown viewed from branded side.

**3213 AND 3214  
MICROPOWER,  
ULTRA-SENSITIVE  
HALL-EFFECT SWITCHES**

**ELECTRICAL CHARACTERISTICS: unless otherwise noted over operating voltage and temperature range.**

| Characteristic         | Symbol        | Test Conditions                                    | Limits |      |      |               |
|------------------------|---------------|--|--------|------|------|---------------|
|                        |               |  | Min.   | Typ. | Max. | Units         |
| Supply Voltage Range   | $V_{DD}$      | Operating <sup>1)</sup>                            | 2.4    | 3.0  | 5.5  | V             |
| Output Leakage Current | $I_{OFF}$     | $V_{OUT} = 5.5\text{ V}$ , $B_{RPN} < B < B_{RPS}$ | –      | <1.0 | 1.0  | $\mu\text{A}$ |
| Output On Voltage      | $V_{OUT}$     | $I_{OUT} = 1\text{ mA}$ , $V_{DD} = 3.0\text{ V}$  | –      | 100  | 300  | mV            |
| Awake Time             | $t_{awake}$   |  | –      | 60   | 90   | $\mu\text{s}$ |
| Period                 | $t_{period}$  | A3213xx  | –      | 240  | 360  | $\mu\text{s}$ |
|                        |               | A3214xx  | –      | 60   | 90   | ms            |
| Duty Cycle             | d.c.          | A3213xx  | –      | 25   | –    | %             |
|                        |               | A3214xx  | –      | 0.10 | –    | %             |
| Chopping Frequency     | $f_C$         |  | –      | 340  | –    | kHz           |
| Supply Current         | $I_{DD(EN)}$  | Chip awake (enabled)                               | –      | –    | 2.0  | mA            |
|                        | $I_{DD(DIS)}$ | Chip asleep (disabled)                             | –      | –    | 8.0  | $\mu\text{A}$ |
|                        | $I_{DD(AVG)}$ | A3213xx  | –      | 460  | 850  | $\mu\text{A}$ |
|                        |               | A3214xx  | –      | 11   | 22   | $\mu\text{A}$ |

- NOTES: 1. Operate and release points will vary with supply voltage.  
 2.  $B_{OPx}$  = operate point (output turns ON);  $B_{RPx}$  = release point (output turns OFF).  
 3. Typical Data is at  $T_A = +25^\circ\text{C}$  and  $V_{DD} = 3.0\text{ V}$  and is for design information only.

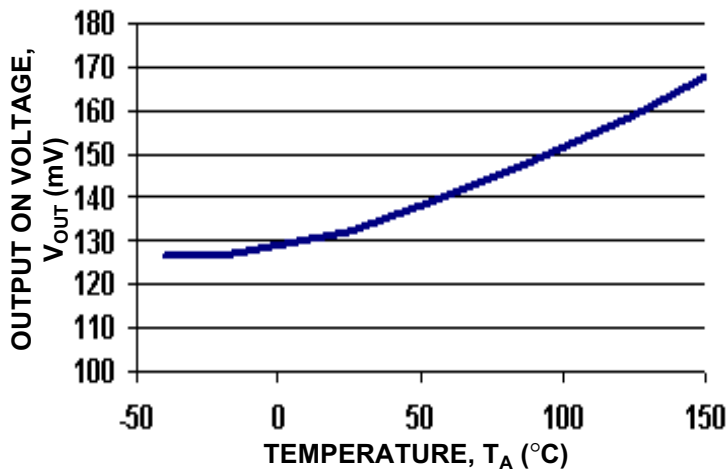
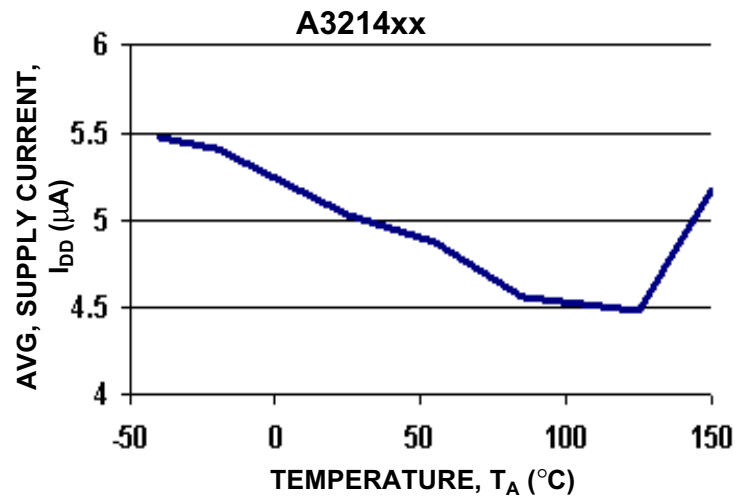
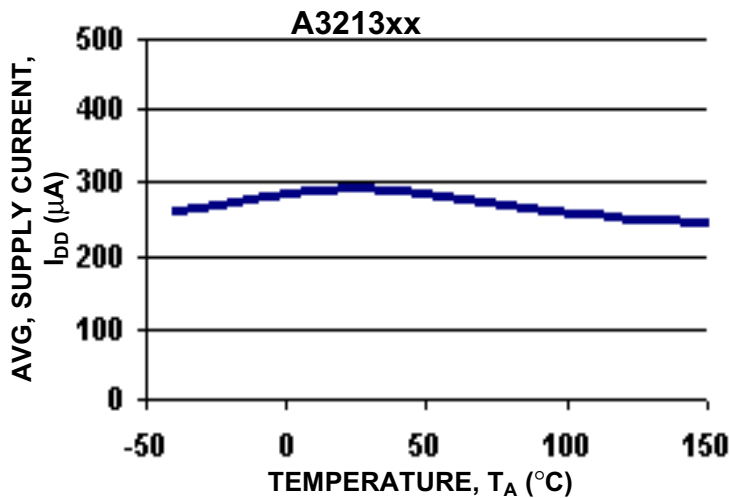
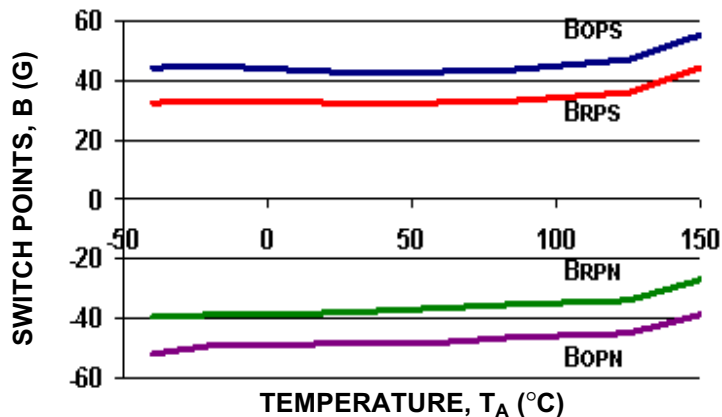
**MAGNETIC CHARACTERISTICS: over operating voltage and temperature range.**

| Characteristic | Symbol    | Test Conditions            | Limits |      |      |       |
|----------------|-----------|----------------------------|--------|------|------|-------|
|                |           |                            | Min.   | Typ. | Max. | Units |
| Operate Points | $B_{OPS}$ | South pole to branded side | –      | 42   | 70   | G     |
|                | $B_{OPN}$ | North pole to branded side | -70    | -48  | –    | G     |
| Release Points | $B_{RPS}$ | South pole to branded side | 10     | 32   | –    | G     |
|                | $B_{RPN}$ | North pole to branded side | –      | -38  | -10  | G     |
| Hysteresis     | $B_{hys}$ | $ B_{OPx} - B_{RPx} $      | –      | 10   | –    | G     |

- NOTES: 1. As used here, negative flux densities are defined as less than zero (algebraic convention) and -50 G is less than +10 G.  
 2.  $B_{OPx}$  = operate point (output turns ON);  $B_{RPx}$  = release point (output turns OFF).  
 3. Typical Data is at  $T_A = +25^\circ\text{C}$  and  $V_{DD} = 3.0\text{ V}$  and is for design information only.  
 4. 1 gauss (G) is exactly equal to 0.1 millitesla (mT).

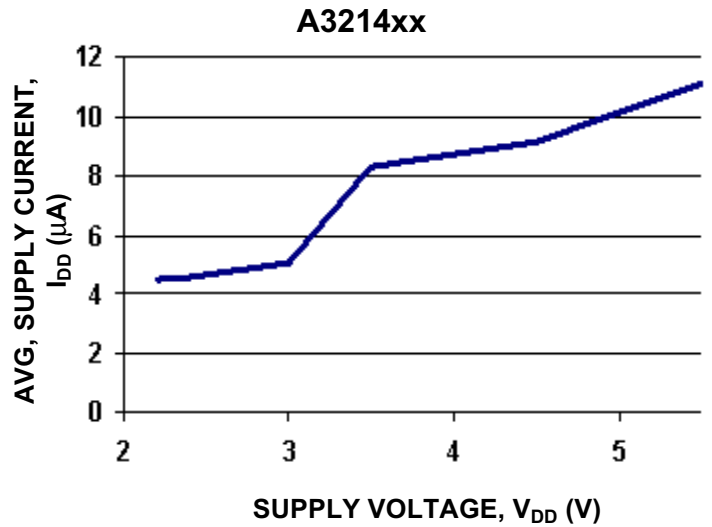
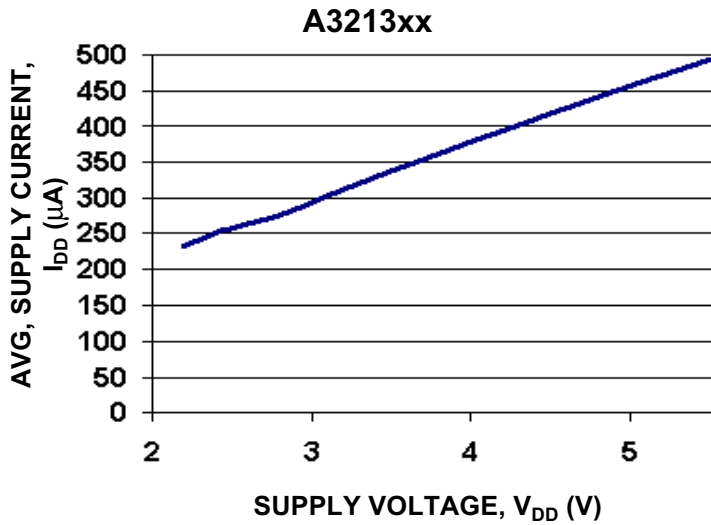
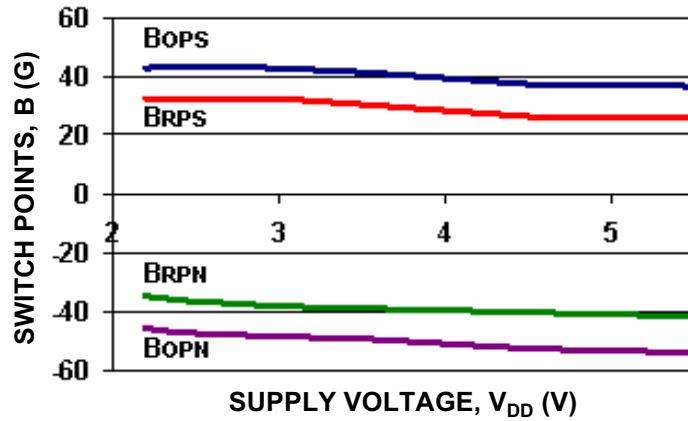
**3213 AND 3214  
MICROPOWER,  
ULTRA-SENSITIVE  
HALL-EFFECT SWITCHES**

**TYPICAL OPERATING CHARACTERISTICS  
as a function of temperature ( $V_{DD} = 3\text{ V}$ )**



# 3213 AND 3214 MICROPOWER, ULTRA-SENSITIVE HALL-EFFECT SWITCHES

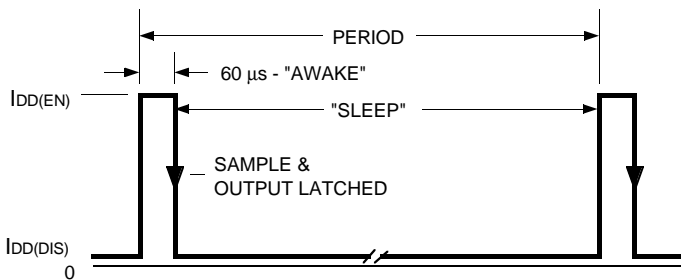
**TYPICAL OPERATING CHARACTERISTICS**  
as a function of supply voltage ( $T_A = 25^\circ\text{C}$ )



# 3213 AND 3214 MICROPOWER, ULTRA-SENSITIVE HALL-EFFECT SWITCHES

## FUNCTIONAL DESCRIPTION

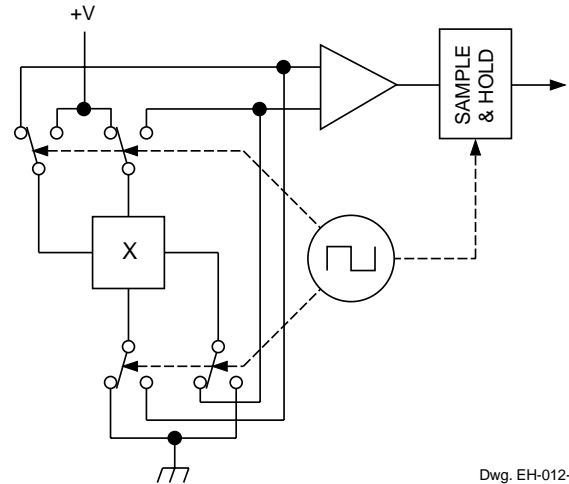
**Low Average Power.** Internal timing circuitry activates the sensor for 60  $\mu$ s and deactivates it for the remainder of the period (240  $\mu$ s for the A3213xx and 60 ms for the A3214xx). A short "awake" time allows for stabilization prior to the sensor sampling and data latching on the falling edge of the timing pulse. The output during the "sleep" time is latched in the last sampled state. The supply current is not affected by the output state.



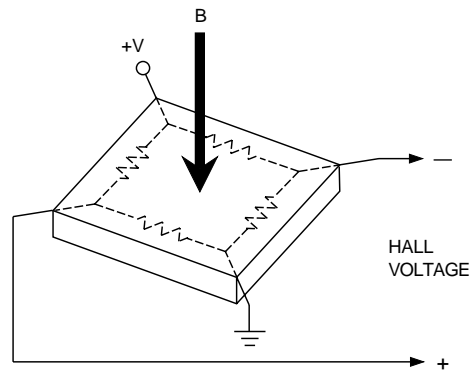
Dwg. WH-017-1

**Chopper-Stabilized Technique.** The Hall element can be considered as a resistor array similar to a Wheatstone bridge. A large portion of the offset is a result of the mismatching of these resistors. These devices use a proprietary dynamic offset cancellation technique, with an internal high-frequency clock to reduce the residual offset voltage of the Hall element that is normally caused by device overmolding, temperature dependencies, and thermal stress. The chopper-stabilizing technique cancels the mismatching of the resistor circuit by changing the direction of the current flowing through the Hall plate using CMOS switches and Hall voltage measurement taps, while maintaining the Hall-voltage signal that is induced by the external magnetic flux. The signal is then captured by a sample-and-hold circuit and further processed using low-offset bipolar circuitry. This technique produces devices that have an extremely stable quiescent Hall output voltage, are immune to thermal stress, and have precise recoverability after temperature cycling. This technique will also slightly degrade the device output repeatability. A relatively high sampling frequency is used in order that faster signals can be processed.

More detailed descriptions of the circuit operation can be found in Technical Paper STP 97-10, *Monolithic Magnetic Hall Sensor Using Dynamic Quadrature Offset Cancellation* and Technical Paper STP 99-1, *Chopper-Stabilized Amplifiers With A Track-and-Hold Signal Demodulator*.



Dwg. EH-012-1

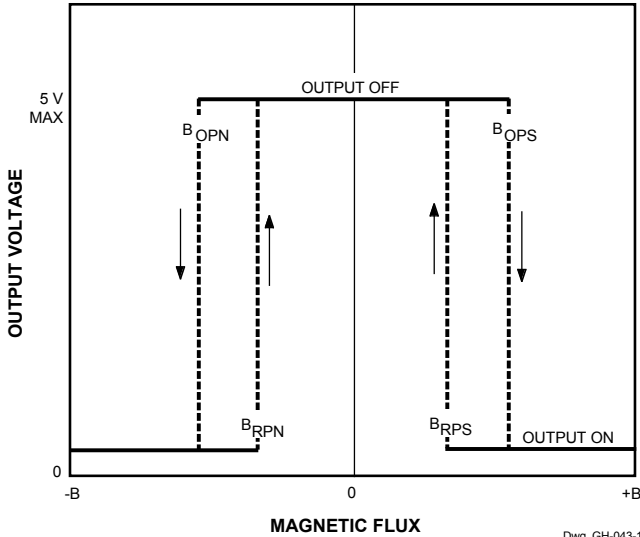


Dwg. AH-011-2

**Operation.** The output of this device switches low (turns on) when a magnetic field perpendicular to the Hall sensor exceeds the operate point  $B_{OPS}$  (or is less than  $B_{OPN}$ ). After turn-on, the output is capable of sinking up to 1 mA and the output voltage is  $V_{OUT(ON)}$ . When the magnetic field is reduced below the release point  $B_{RPS}$  (or increased above  $B_{RPN}$ ), the device output switches high (turns off). The difference in the magnetic operate and release points is the hysteresis ( $B_{HYS}$ ) of the device. This built-in hysteresis allows clean switching of the output even in the presence of external mechanical vibration and electrical noise.

As used here, negative flux densities are defined as less than zero (algebraic convention) and -50 G is less than +10 G.

# 3213 AND 3214 MICROPOWER, ULTRA-SENSITIVE HALL-EFFECT SWITCHES

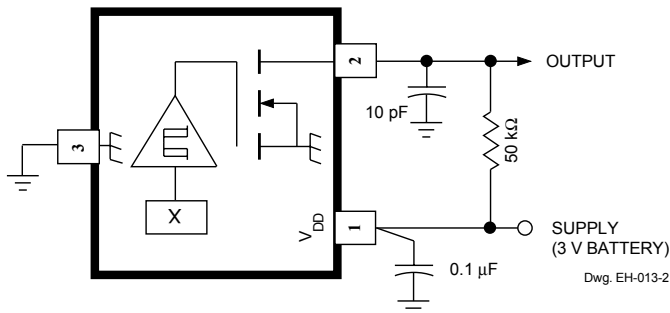


**Applications.** Allegro's pole-independent sensing technique allows for operation with either a north pole or south pole magnet orientation, enhancing the manufacturability of the device. The state-of-the-art technology provides the same output polarity for either pole face.

It is strongly recommended that an external bypass capacitor be connected (in close proximity to the Hall sensor) between the supply and ground of the device to reduce both external noise and noise generated by the chopper-stabilization technique. This is especially true due to the relatively high impedance of battery supplies.

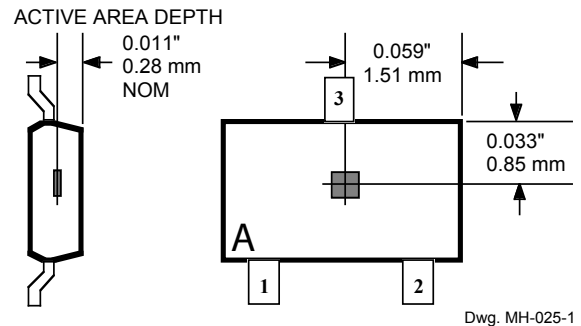
The simplest form of magnet that will operate these devices is a bar magnet with either pole near the branded surface of the device. Many other methods of operation are possible. Extensive applications information on magnets and Hall-effect sensors is also available in the *Allegro Electronic Data Book AMS-702* or *Application Note 27701*, or at

[www.allegromicro.com](http://www.allegromicro.com)

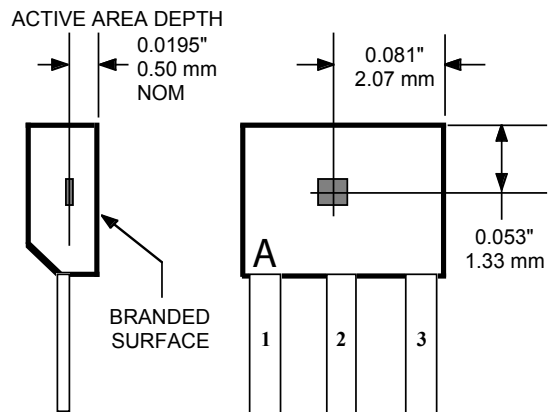


## SENSOR LOCATIONS

### Package Designator 'LH'



### Package Designator 'UA'

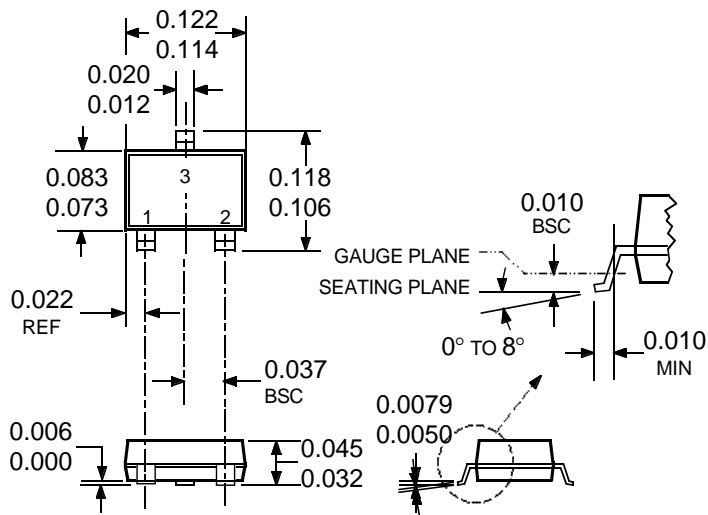




# 3213 AND 3214 MICROPOWER, ULTRA-SENSITIVE HALL-EFFECT SWITCHES

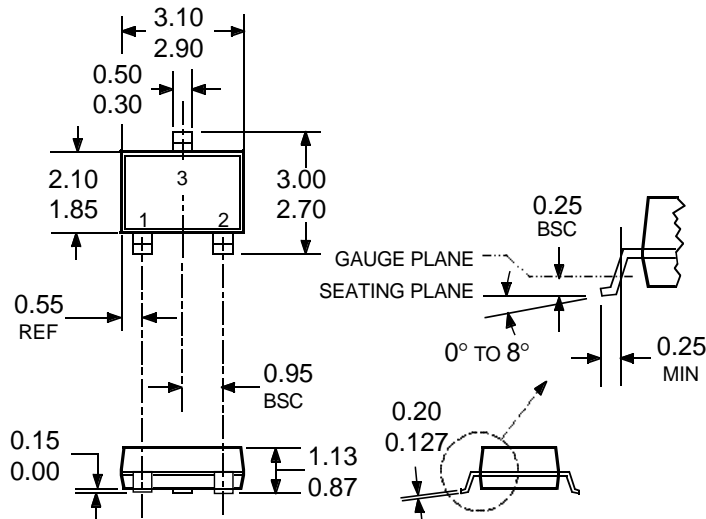
## PACKAGE DESIGNATOR 'LH' (SOT23W, fits SC-59A solder-pad layout)

**Dimensions in Inches**  
(for reference only)

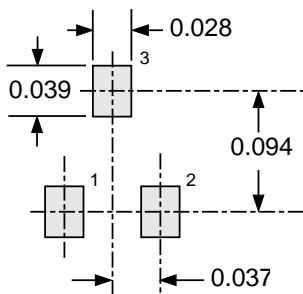


Dwg. MA-010-3D in

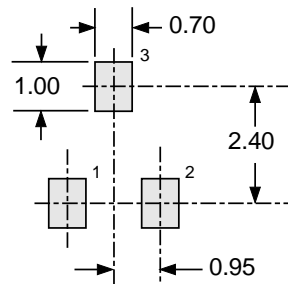
**Dimensions in Millimeters**  
(controlling dimensions)



Dwg. MA-010-3D mm



Dwg. MA-011-3 in



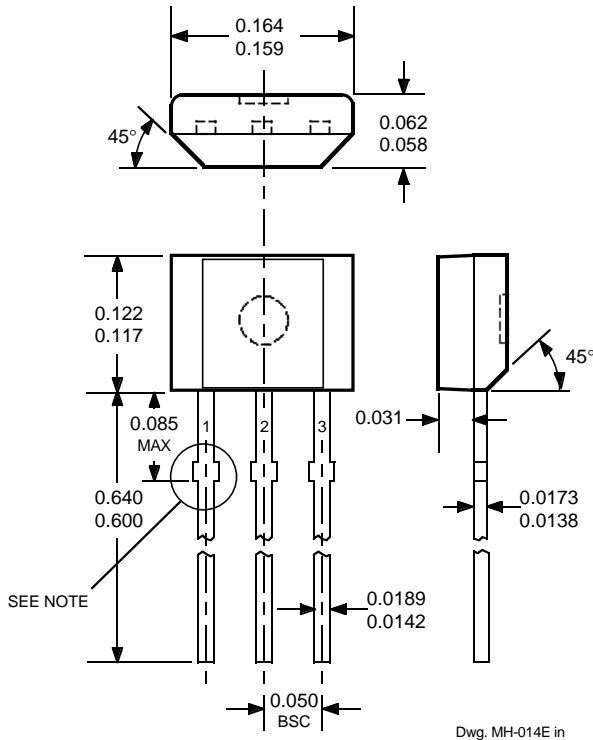
Dwg. MA-011-3 mm

- NOTES: 1. Tolerances on package height and width represent allowable mold offsets. Dimensions given are measured at the widest point (parting line).
2. Exact body and lead configuration at vendor's option within limits shown.
3. Height does not include mold gate flash.
4. Where no tolerance is specified, dimension is nominal.
5. Add "LT" to part number for tape and reel.

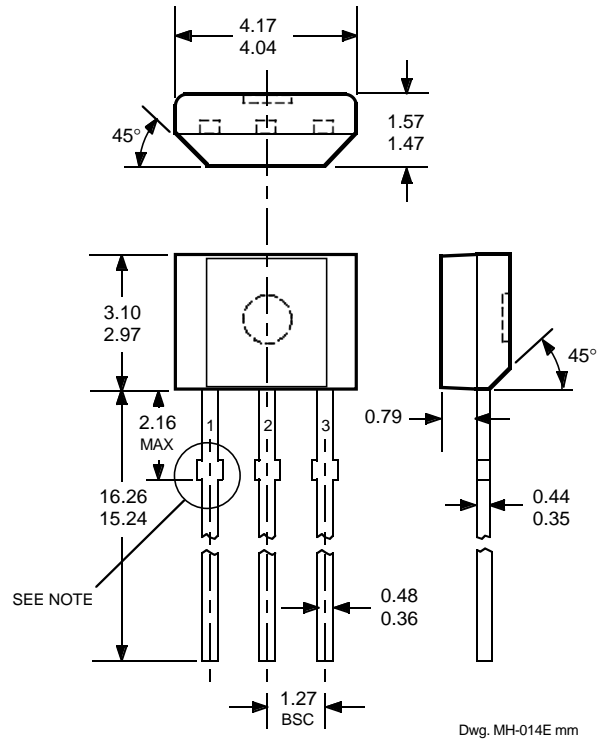
# 3213 AND 3214 MICROPOWER, ULTRA-SENSITIVE HALL-EFFECT SWITCHES

## PACKAGE DESIGNATOR 'UA'

**Dimensions in Inches**  
(controlling dimensions)



**Dimensions in Millimeters**  
(for reference only)



- NOTES:
1. Tolerances on package height and width represent allowable mold offsets. Dimensions given are measured at the widest point (parting line).
  2. Exact body and lead configuration at vendor's option within limits shown.
  3. Height does not include mold gate flash.
  4. Recommended minimum PWB hole diameter to clear transition area is 0.035" (0.89 mm).
  5. Where no tolerance is specified, dimension is nominal.
  6. Supplied in bulk pack (500 pieces per bag).

**3213 AND 3214  
MICROPOWER,  
ULTRA-SENSITIVE  
HALL-EFFECT SWITCHES**

*The products described herein are manufactured under one or more of the following U.S. patents: 4,761,569; 5,619,137; 5,621,319. In addition, a patent is pending for Allegro's magnetic pole-independent feature. Allegro has several foreign counterpart patents as well. Allegro has not licensed any of these patents to any third party.*

*Allegro MicroSystems, Inc. reserves the right to make, from time to time, such departures from the detail specifications as may be required to permit improvements in the performance, reliability, or manufacturability of its products. Before placing an order, the user is cautioned to verify that the information being relied upon is current.*

*Allegro products are not authorized for use as critical components in life-support appliances, devices, or systems without express written approval.*

*The information included herein is believed to be accurate and reliable. However, Allegro MicroSystems, Inc. assumes no responsibility for its use; nor for any infringements of patents or other rights of third parties that may result from its use.*